

› Pneumatic butterfly valve

R D V

Specialized manufacture, Specialized service, RFS valve devote to satisfy user's expectation, improving service quality continuously. keeping improving.



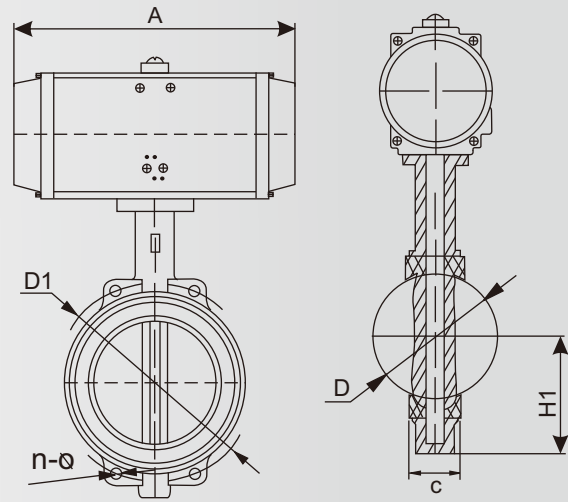
Ordering Code

R	DV	P	□	□	□	□	□
KZE Product	Butterfly valve	Type P pneumatic control L Lever control	Connection 4 Flanged type 7 wafer type	Body material Z CI Q DI P Stainless steel 304 R Stainless steel 316 C Carbon steel T Aluminum bronzo	Disc material B1 plated DI B2 Aluminum bronzo B3 Stainless steel 304 B4 Titanium steel B5 Stainless steel 316 B6 Carbon steel	Seal Material H Stainless steel 1 Natural rubber 2 Hypalon seal 3 EPDM 5 Neoprene 6 NBR 7 Abrasion resistant rubber 8 Viton 9 Heat-resistant EPDM F4 PTFE	Office 50-1000

Pneumatic wafer type soft seal butterfly valve

Features

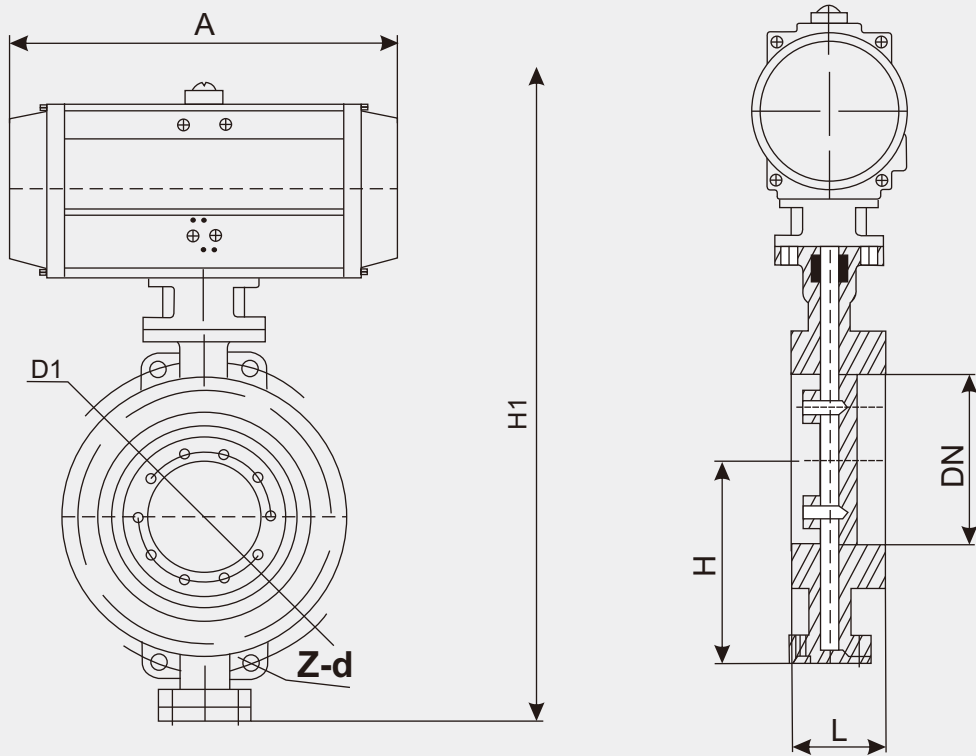
- Small and light, easy for installation and repair, and can be installation on any position
- Simple structure, compact, Prompt 90 degree turn round, open and close.
- Small operating torque
- Flow rate characteristic tend to straight, well regulate
- Open and close test over 10.000 times, long life.
- Complete seal, no leakage during air testing.
- Choose different material as parts, fit for kinds of medium.



Model	Orifice	D	D1	H1	A	C	n-d	Actuator
RDVP7PB3-7-50	2	52.9	125	80	181	42	4-18	RAT063DA
RDVP7PB3-7-65	2.5	64.5	145	89	223	44.7	4-18	RAT075DA
RDVP7PB3-7-80	3	78.8	160	95	212	45.2	8-18	RAT083DA
RDVP7PB3-7-100	4	104	180	114	258	52.1	8-18	RAT092DA
RDVP7PB3-7-125	5	123.3	210	127	287	54.4	8-18	RAT105DA
RDVP7PB3-7-150	6	155.6	240	139	342.5	55.8	8-22	RAT125DA
RDVP7PB3-7-200	8	202.5	295	175	342.5	60.6	8-22	RAT125DA
RDVP7PB3-7-250	10	250.5	350	203	412	65.6	12-22	RAT140DA
RDVP7PB3-7-300	12	301.6	400	242	490	76.9	12-22	RAT160DA
RDVP7PB3-7-350	14	333.3	460	267	490	76.5	16-26	RAT160DA
RDVP7PB3-7-400	16	389.6	515	309	544	86.5	16-26	RAT190DA
RDVP7PB3-7-450	18	440.51	565	328	580	105.6	20-26	RAT210DA
RDVP7PB3-7-500	20	491.5	620	361	622	130.3	20-26	RAT240DA
RDVP7PB3-7-600	24	592.5	725	459	766	151.4	20-30	RAT270DA
RDVP7PB3-7-700	28	695	840	520	766	163	24-30	RAT270DA
RDVP7PB3-7-800	32	794.7	950	591	794	188	24-33	RAT300DA
RDVP7PB3-7-900	36	864.7	1050	656	880	203	28-33	RAT350DA
RDVP7PB3-7-1000	40	965	1160	721	1076	213	28-36	RAT400DA

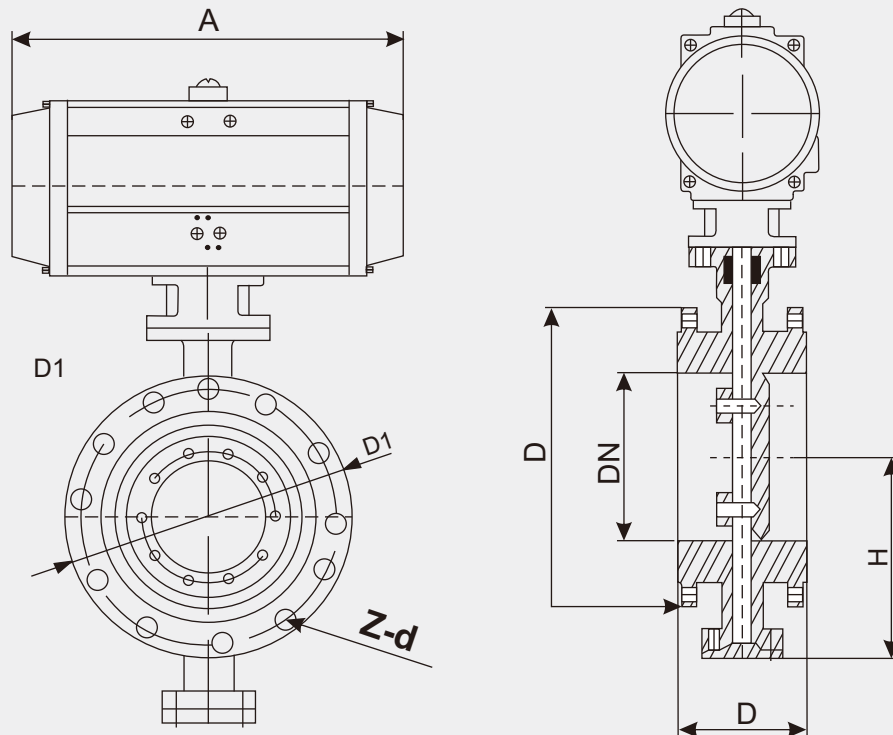
Valve Body		Disc		Rotating shaft	Liner bushing	Seal material		
Material item	Code	Material item	Code	Material item	Material item	Material item	Code	Suitable Temperature
CI	Z	Plated DI	B1			Natural rubber	1	-20~+85°C
DI	Q	Aluminum bronze	B2			Hypalon seal	2	-18~+135°C Short time -18~+149°C
Aluminum bronze	T	Stainless steel 304	B3	Stainless steel	Lubrication bronze	EPDM	3	-45~+135°C Short time -50~+150°C
						Neoprene	5	-7~+93°C Short time -7~107°C
Stainless steel 304	P	Titanium Steel	B4	Carbon steel	PTFE	NBR	6	-12~+82°C Short time -12~+93°C
Stainless steel 316	R	Stainless steel 316	B5			Abrasion resistant rubber	7	-10~+50°C
						Viton	8	-23~+150°C
Carbon steel	C	Carbon steel	B6			Heat-resistant EPDM rubber	9	-20~+150°C
						PTFE	F4	-10~+150°C

Pneumatic wafer type metal seal butterfly valve



Model	Orifice (inch)	L	D1	H	A	Z- ϕ d	Actuator
RDVP7RB5-H-50	2	43	125	112	212	4-18	RAT083DA
RDVP7RB5-H-65	2½	46	145	115	258	4-18	RAT092DA
RDVP7RB5-H-80	3	46	160	120	287	8-18	RAT105DA
RDVP7RB5-H-100	4	64	180	140	342.5	8-18	RAT125DA
RDVP7RB5-H-125	5	64	210	170	412	8-18	RAT140DA
RDVP7RB5-H-150	6	70	240	180	490	8-22	RAT160DA
RDVP7RB5-H-200	8	76	295	210	490	8-22	RAT160DA
RDVP7RB5-H-250	10	89	350	240	544	12-22	RAT190DA
RDVP7RB5-H-300	12	114	400	290	580	12-22	RAT210DA
RDVP7RB5-H-350	14	114	460	320	580	16-22	RAT210DA
RDVP7RB5-H-400	16	127	515	350	580	16-26	RAT210DA
RDVP7RB5-H-450	18	140	565	380	622	20-26	RAT240DA
RDVP7RB5-H-500	20	152	620	410	766	20-26	RAT270DA
RDVP7RB5-H-600	24	152	725	170	794	20-30	RAT300DA
RDVP7RB5-H-700	28	178	840	550	794	24-30	RAT300DA
RDVP7RB5-H-800	32	229	950	640	880	24-33	RAT350DA
RDVP7RB5-H-900	36	241	1050	710	880	28-33	RAT350DA
RDVP7RB5-H-1000	40	241	1160	770	1076	28-36	RAT400DA
RDVP7RB5-H-1200	48	300	1380	875	1076	32-39	RAT400DA

Pneumatic flange type Metal-Metal seal butterfly valve



Model	Orifice (inch)	L	D	D1	H	A	Z- \varnothing d	Actuator
RDVP4RB5-H-50	2	108	165	125	112	212	4-18	RAT083DA
RDVP4RB5-H-65	2½	112	185	145	115	258	4-18	RAT092DA
RDVP4RB5-H-80	3	114	200	150	120	287	8-18	RAT105DA
RDVP4RB5-H-100	4	127	220	180	138	342.5	8-18	RAT125DA
RDVP4RB5-H-125	5	140	250	210	164	412	8-18	RAT140DA
RDVP4RB5-H-150	6	140	285	240	175	490	8-22	RAT160DA
RDVP4RB5-H-200	8	152	340	295	215	490	12-22	RAT160DA
RDVP4RB5-H-250	10	165	405	355	243	544	12-26	RAT190DA
RDVP4RB5-H-300	12	178	460	410	285	580	12-26	RAT210DA
RDVP4RB5-H-350	14	190	520	417	320	580	16-26	RAT210DA
RDVP4RB5-H-400	16	216	580	525	350	580	16-30	RAT210DA
RDVP4RB5-H-450	18	222	640	585	350	622	20-30	RAT240DA
RDVP4RB5-H-500	20	229	715	650	380	766	20-33	RAT270DA
RDVP4RB5-H-600	24	267	840	771	435	794	20-36	RAT300DA
RDVP4RB5-H-700	28	292	910	840	480	794	24-36	RAT300DA
RDVP4RB5-H-800	32	318	1025	950	530	880	24-39	RAT350DA
RDVP4RB5-H-900	36	330	1125	1050	595	880	28-39	RAT350DA
RDVP4RB5-H-1000	40	410	1255	1170	650	1076	28-42	RAT400DA
RDVP4RB5-H-1200	48	417	1485	1390	775	1076	32-48	RAT400DA

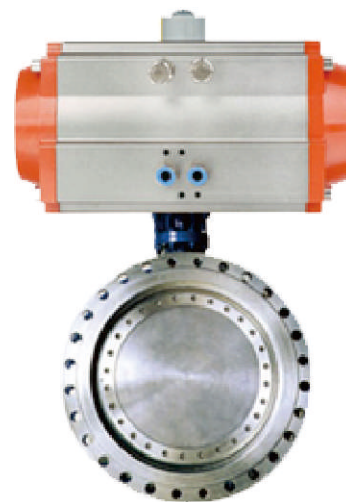
Eccentric metal seated butterfly valve

Features

Because this butterfly valve adopt three-dimensional eccentric to design. making the movement track on facing space reach to idealization, and there are attrition and on intervene between hermetical components. furthermore, the hermetical material has been selected reasonably, there by it ensure hermetic, 10 antiseptis, wearable capability of valve.

The main characteristic as below

- Tiny moment for starting, flexible and convenient, save labor and energy.
- Three-dimensional eccentric configuration forces disc close tighter, and reach to reliable hermetic capability and without leakage.
- High temperature resistant, high pressure resistant, long service life etc.



Main technology parameter

Orifice	DN (mm)	50 - 200				50 - 500
Nominal pressure	PN (Mpa)	0.6	1.0	1.6	2.5	2.5
PS (Mpa) Test Pressure	Shell test	0.9	1.5	2.4	3.75	3.75
	Seal test	0.66	1.1.	1.76	2.75	2.75
	Gas seal test	0.6	0.6	0.6	0.6	0.6
Leakage	<0.1xDNmm ³ /s (accordance GB/T13927-92 standard)					
Appropriate Temperature	Carbon steel: -29°C ~ 425°C / Stainless steel: -40°C ~ 600°C					
Appropriate medium	Air, water, steam, gas, oil, alkali, salt, and weak corrosion medium etc.					
Drive modality	Worm wheel drive / gas drive / electric drive					

Material for main parts

Parts item	Material
Valve body	Cast iron, stainless steel, Cr.MO.Steel, alloy steel
Disc	Cast steel, alloy steel, stainless steel, Cr.MO.Steel
Seal	Stainless steel and Graphite
Stem	2Cr13, 1Cr13 stainless steel, Cr.MO.Steel
Bearing	Stainless steel, 304 nitrifier
Filler	Flexible graphite